

Concord Sentry concealed halyard system



The Concord-developed **SENTRY CONCEALED HALYARD SYSTEM** has proven to be our most popular flagpole. Replacing the more expensive stainless steel components of the **CONCEALED HALYARD System** with inexpensive and easily replaceable rope halyards and cam-action cleats, the **SENTRY** combines the security of a concealed halyard with the simplicity and low cost of an external halyard flagpole.

Specifications: (Drop in Guide Spec., page 12)

2.2 A.1. SENTRY CONCEALED HALYARD CONE-TAPERED ALUMINUM FLAGPOLE

2.3 A. FOUNDATION TUBE: (See page 11 for specs)

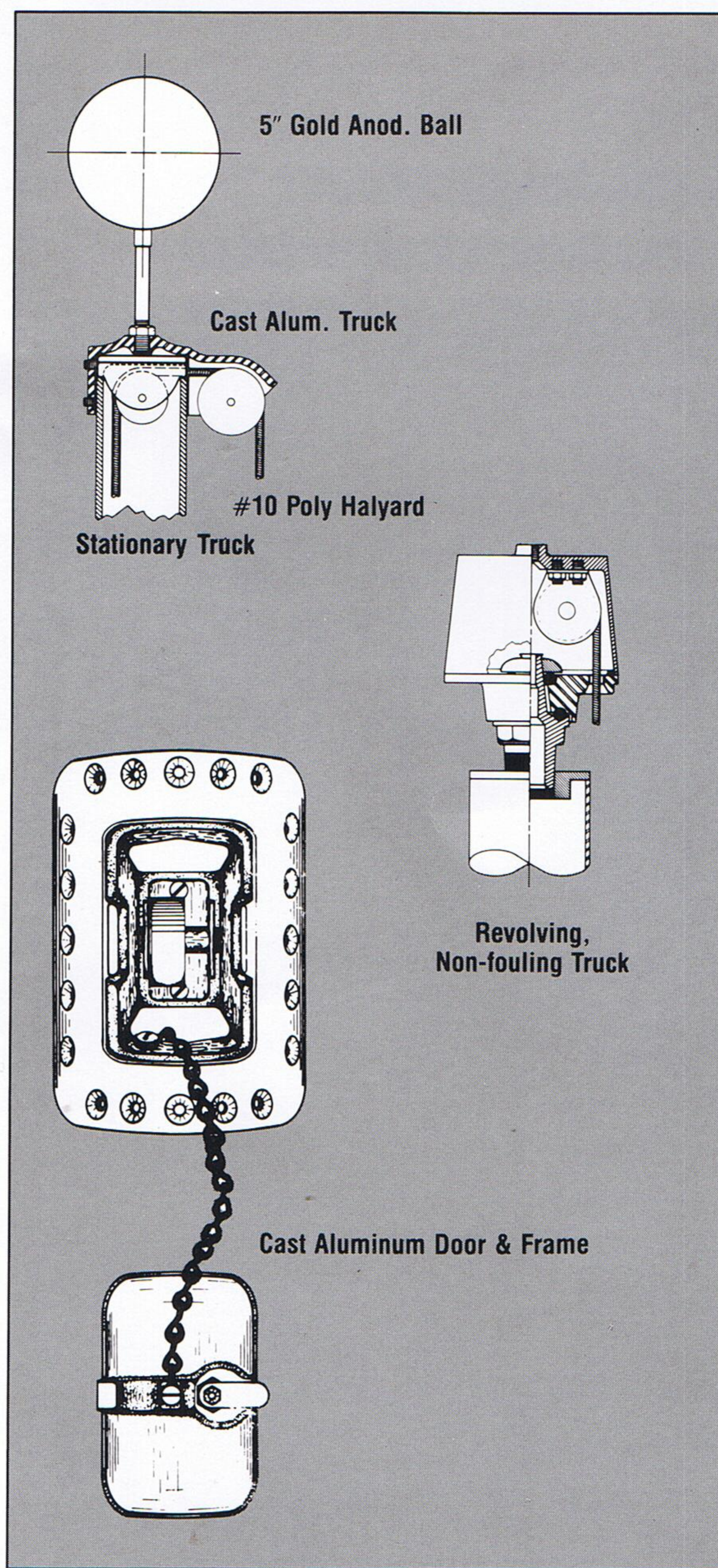
2.4 A.1. SHAFT FINISH: (See page 10)

2.5 A. STANDARD FITTINGS: **Finial** 14 ga. spun aluminum ball, gold anodized finish, with flush seam, sized to match butt diameter of shaft.

Truck Cast aluminum stationary or revolving type (See below)

Halyards One set of #10 (5/16") white waterproof polypropylene, equipped with two chrome swivel-snaps to secure the flag, one 3 1/2" neoprene coated counterweight, and one beaded nylon retainer ring.

Cleat One internally mounted cam-action cleat with integral sheave, factory mounted.



SENTRY SHAFTS

HEIGHT		DIAMETER		WALL THICK	LENGTH		SHIP SECT	STANDARD TRUCK	UNFLAGGED WIND		FLAG SIZE	FLAGGED WIND	
EXP	LOA	BUTT	TOP		TAPRD	STGHT			CONSTANT	W/GUST		CONSTANT	W/GUST
20'	23' 0"	5"	3.0"	.125"	11' 8"	11' 4"	1	STATIONARY	193	250	4'x 6'	100	130
25'	28' 0"	5"	3.0"	.125"	11' 0"	17' 0"	1	STATIONARY	111	144	4'x 6'	80	104
25'	28' 0"	5"	3.0"	.156"	11' 0"	17' 0"	1	STATIONARY	148	192	4'x 6'	90	117
25'	28' 0"	6"	3.5"	.156"	17' 3"	10' 9"	1	REVOLVING	160	208	4'x 6'	120	156
25'	28' 0"	6"	3.5"	.188"	17' 3"	10' 9"	1	REVOLVING	180	234	4'x 6'	120	156
30'	33' 0"	5"	3.0"	.156"	17' 3"	15' 9"	1 or 2	STATIONARY	92	119	5'x 8'	70	91
30'	33' 0"	6"	3.5"	.156"	17' 3"	15' 9"	1 or 2	REVOLVING	147	191	5'x 8'	90	117
30'	33' 0"	6"	3.5"	.188"	17' 3"	15' 9"	1 or 2	REVOLVING	170	221	5'x 8'	100	130
35'	38' 6"	5"	3.0"	.156"	20' 0"	18' 6"	1 or 2	STATIONARY	74	96	5'x 8'	60	78
35'	38' 6"	6"	3.5"	.156"	20' 0"	18' 6"	1 or 2	REVOLVING	94	122	5'x 8'	70	91
35'	38' 6"	7"	3.5"	.156"	20' 0"	18' 6"	1 or 2	REVOLVING	138	179	5'x 8'	90	117
35'	38' 6"	7"	3.5"	.188"	20' 0"	18' 6"	1 or 2	REVOLVING	153	199	5'x 8'	100	130
40'	44' 0"	7"	3.5"	.156"	22' 9"	21' 3"	2	REVOLVING	96	125	6'x 10'	70	91