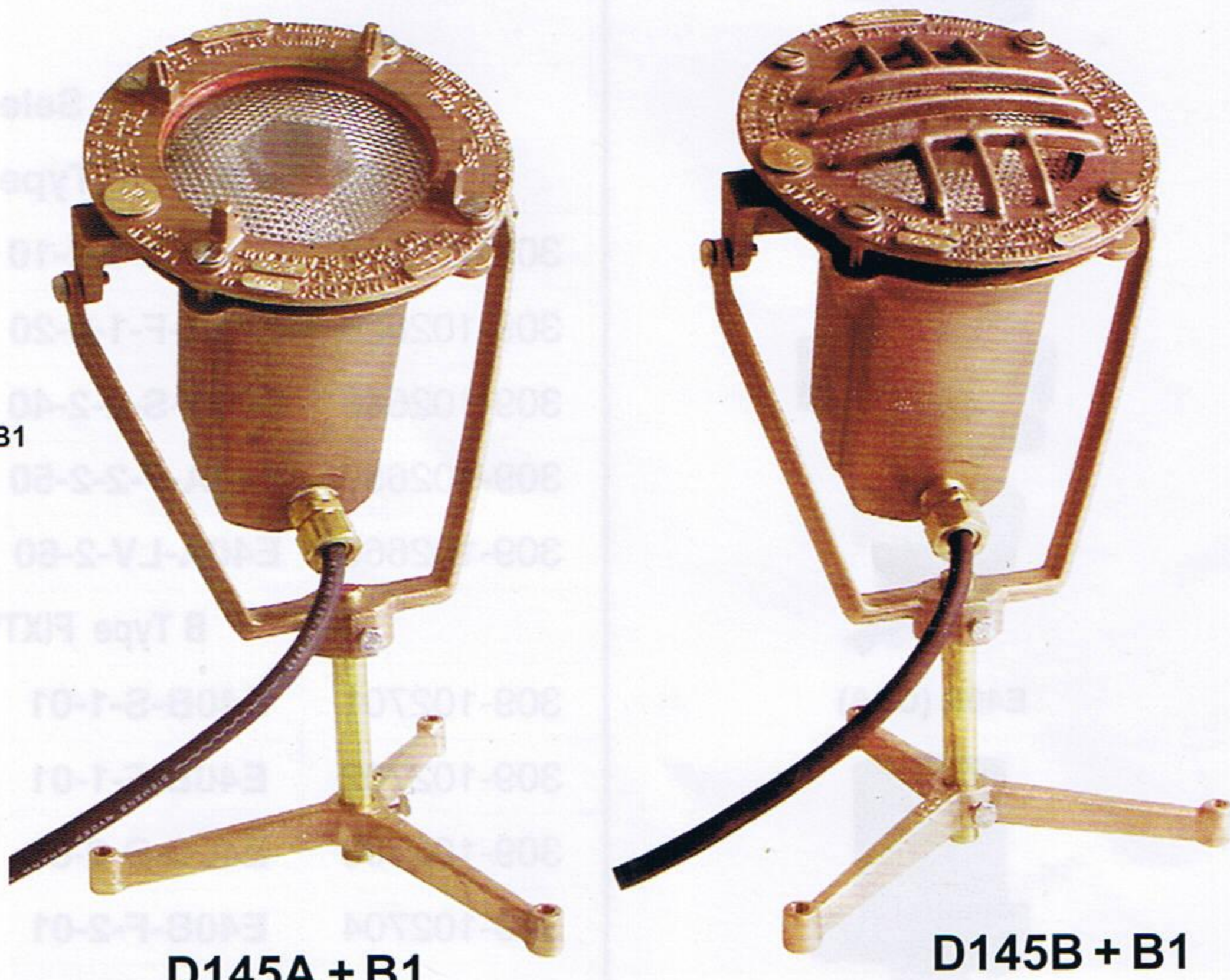
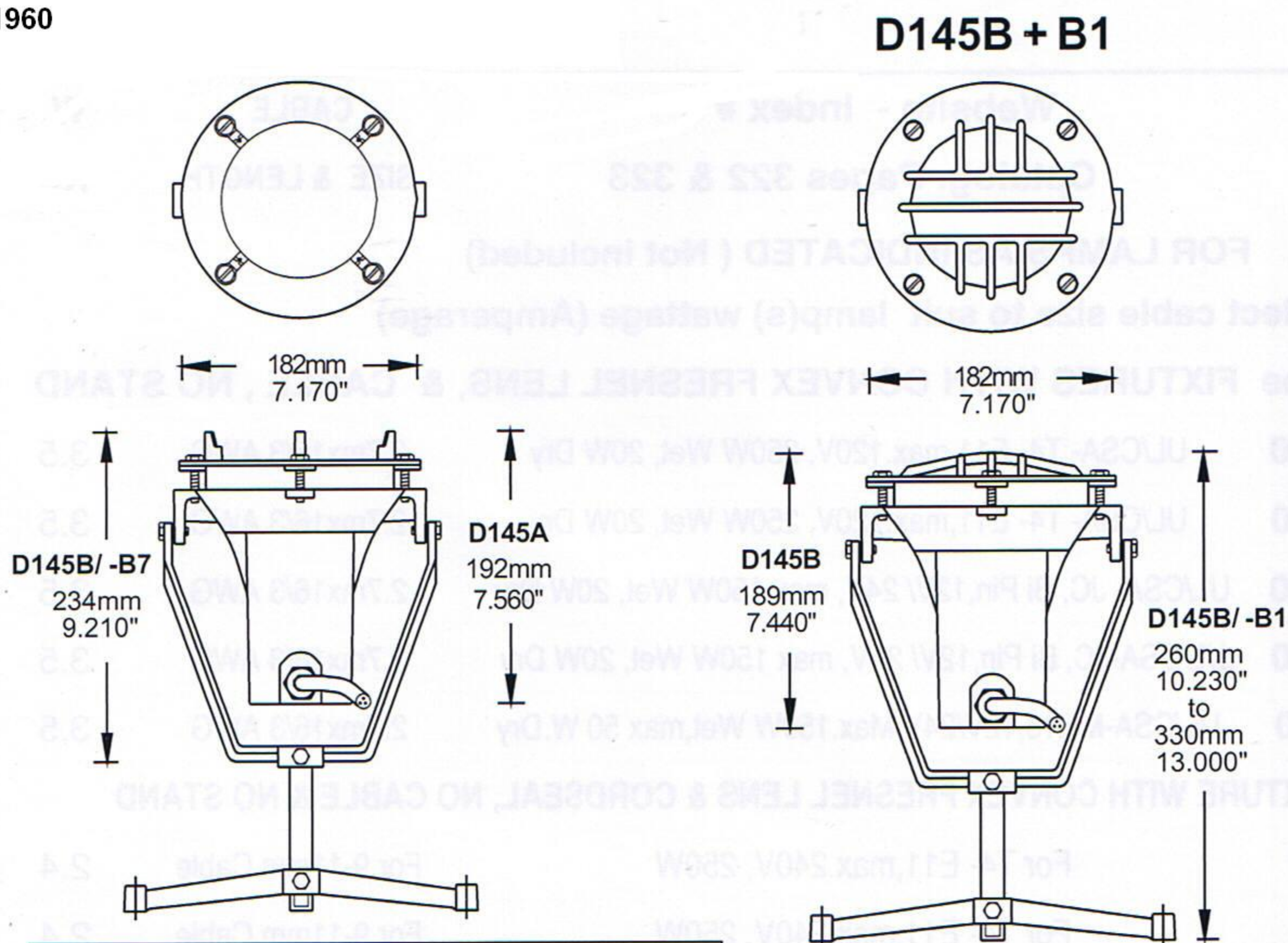


SUBMERSIBLE or DRY LIGHTFIXTURE

PEM D145

Lightfixtures for PAR 38/BR 32
 Lamps: 12V, 24V, 120V & 240V



APPROVALS
 Canada - CSA, 120V / 24V & 12V,
 All in A or B Option, excluding - 2
 USA - UL, 120V / 24V & 12V
 All in 'B' Option, excluding - 2

DESCRIPTION:

PEM D145 Cast Bronze Lightfixtures are for **Dry, Submersed or Partial Immersed Installation.** This lightfixture is especially designed for those applications where the fixture is submerged only intermittently or is used under falling or splashing water inside or outside of a pool. This lightfixture is designed for BR30 or PAR38 Sealed Beam Lamps with heavy welded on flat glass cover configurations for outdoor use. The lightfixture is sealed at the neck of the lamp with a high temperature silicone rubber 'O' ring compressing the lamp into the fixture body by the facering and facering bolts. **(See NOTE below).** The lightfixture is designed for single cable entry for direct connection to power supply or dual cable entries for use in a fixture chain where permissible. Maximum immersion of lightfixture: 0.6m / 24" of water depth over lens. For dry installation the fixture must be clear of combustible materials.

FIXTURE RATINGS:

- MAXIMUM 250W AT 120V FOR SUBMERGED USE FOR UL / CSA FIXTURES.
- MAXIMUM 150W AT 120V FOR DRY USE FOR UL / CSA FIXTURES.
- MAXIMUM 150W AT 240V FOR SUBMERGED OR DRY USE.
- MAXIMUM 150W AT 24V FOR SUBMERGED OR DRY USE.
- MAXIMUM 100W AT 12V FOR SUBMERGED OR DRY USE.

CONSTRUCTION OF LIGHT FIXTURE:

Housing & Facering:

For use in fresh water:

Cast bronze (85/5/5/5 Copper Alloy).Stainless Steel fitted.

LAMP:

OPTIONAL & ADDITIONAL - Normally not supplied with fixture.

BR30 or PAR38 Lamps with E26 / E27 medium screw bases with heavy welded on flat glass cover configuration. Most 240V, 120V & 24V Lamps have max. 2000 hours or more average life or as specified by Lamp manufacturer at rated Lamp voltage. 12V Lamps have a max. 1000 hours average life or as specified by Lamp manufacturer at rated Lamp voltage. **MAXIMUM** rating is the maximum useable wattage at voltage rating for a particular fixture. Certain types of very thin wall lamps are not suitable for this application.

ELECTRICAL CABLE:

Approved for the purpose with integral epoxy encapsulated, compression type cable entry in factory assembled fixtures. See Lightfixture Supplements Section

Lamp Holder:

E26 / E27 - Ceramic medium screw with copper alloy screw shell and parts.

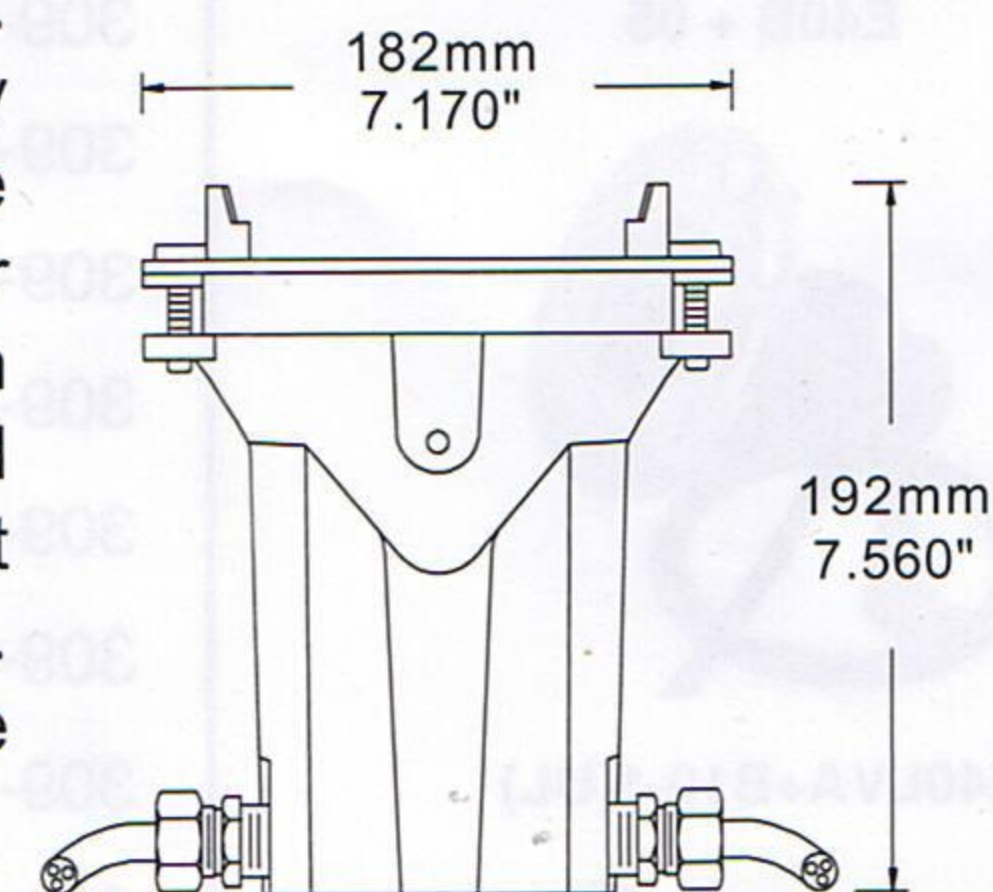
Lamp Seal:

High temperature silicone rubber 'O' Ring around neck of lamp.
 The neck of the lamp must be smooth and not pitted.

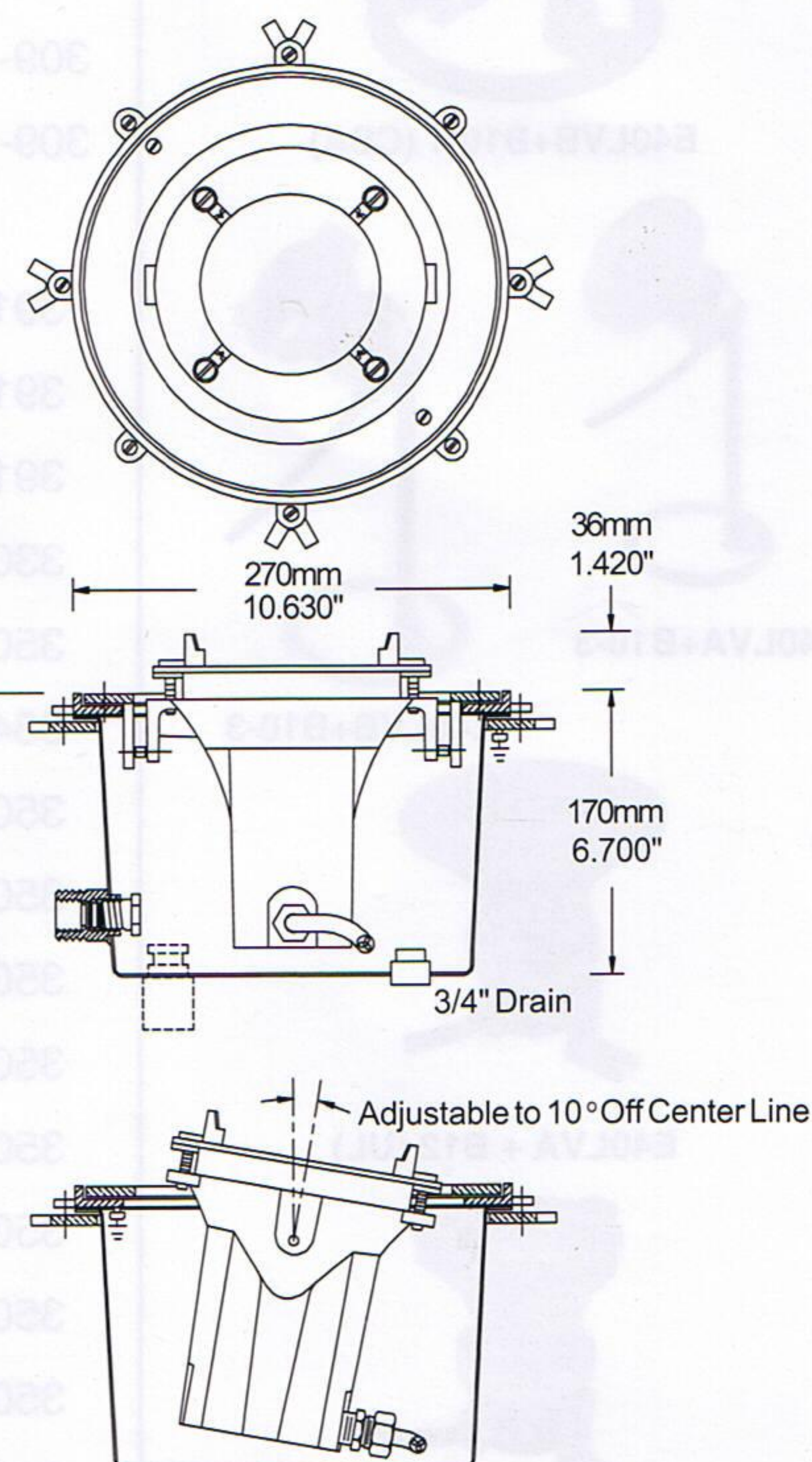
Mounting: See opposite Page

NOTE: A face ring bolt tightening torque of 45.6 Ncm / 64 oz inch is required to seal PAR38 Lamps. It is imperative that the facering bolts are tightened evenly cross wise by approx. 1/2 turn of each bolt (Bolt # 1, then #3, then # 4, then # 2, then # 4, then # 1 etc.) in a clockwise direction to avoid lamp breakage. A proper ratchet torque wrench is required to avoid lamp breakage.

D145A + 2A



D145A + B46-1



DO NOT USE THIN, GLASS BLOW MOLDED LAMPS.