

Water Pumps

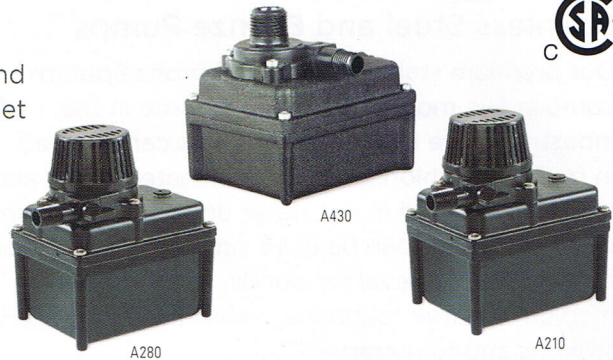


Direct Drive Pumps

Die Cast Aluminum Fountain Pumps

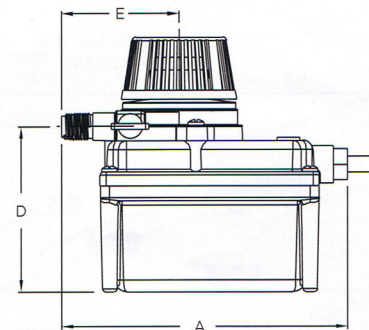
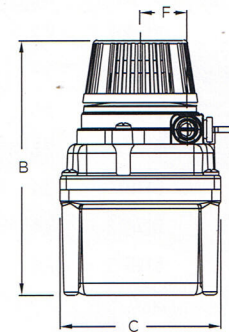
Our durable cast aluminum pumps are reliable, versatile and can be used submerged. These pumps have extremely quiet operation for years of continuous trouble-free service.

- Includes CFS100 prefilter
- Built in flow control
- Compact design



A-SERIES	Item Number	Amps	Watts	Cord (ft)	Submerged Use	Discharge MNPT	Gallons Per Hour (GPH) at height			Shut Off (ft)
							1'	5'	10'	
A210-6	517050	0.7	50	6'	✓	1/4"	220	93	-	6.3
A210-20	517051	0.7	50	20'	✓	1/4"	220	93	-	6.3
A280-6	517052	1.3	77.4	6'	✓	1/4"	250	205	105	12.8
A280-20	517053	1.3	77.4	20'	✓	1/4"	250	205	105	12.8
A430-6	517054	2	84.7	6'	✓	1/4"	280	220	110	12.4
A430-20	517055	2	84.7	20'	✓	1/4"	280	220	110	12.4

DIMENSIONS (INCHES)	A	B	C	D	E	F
A210-6	4.6	4.4	3.75	2.8	2.12	0.7
A210-20	4.6	4.4	3.75	2.8	2.12	0.7
A280-6	5.8	5.15	3.3	3.34	2.4	0.9
A280-20	5.8	5.15	3.3	3.34	2.4	0.9
A430-6	5.8	5.15	3.3	3.34	2.4	0.9
A430-20	5.8	5.15	3.3	3.34	2.4	0.9



A280, A430

