

# Water Pumps



## Direct Drive Pumps

### WGP-Series

Efficient, oil-less direct-drive dual-discharge pumps produce greater pressure, so each can serve two water features simultaneously. Installed either vertically or horizontally, the corrosion-resistant submersible body is designed for non-potable, continuous operation.



WGP-95-PW



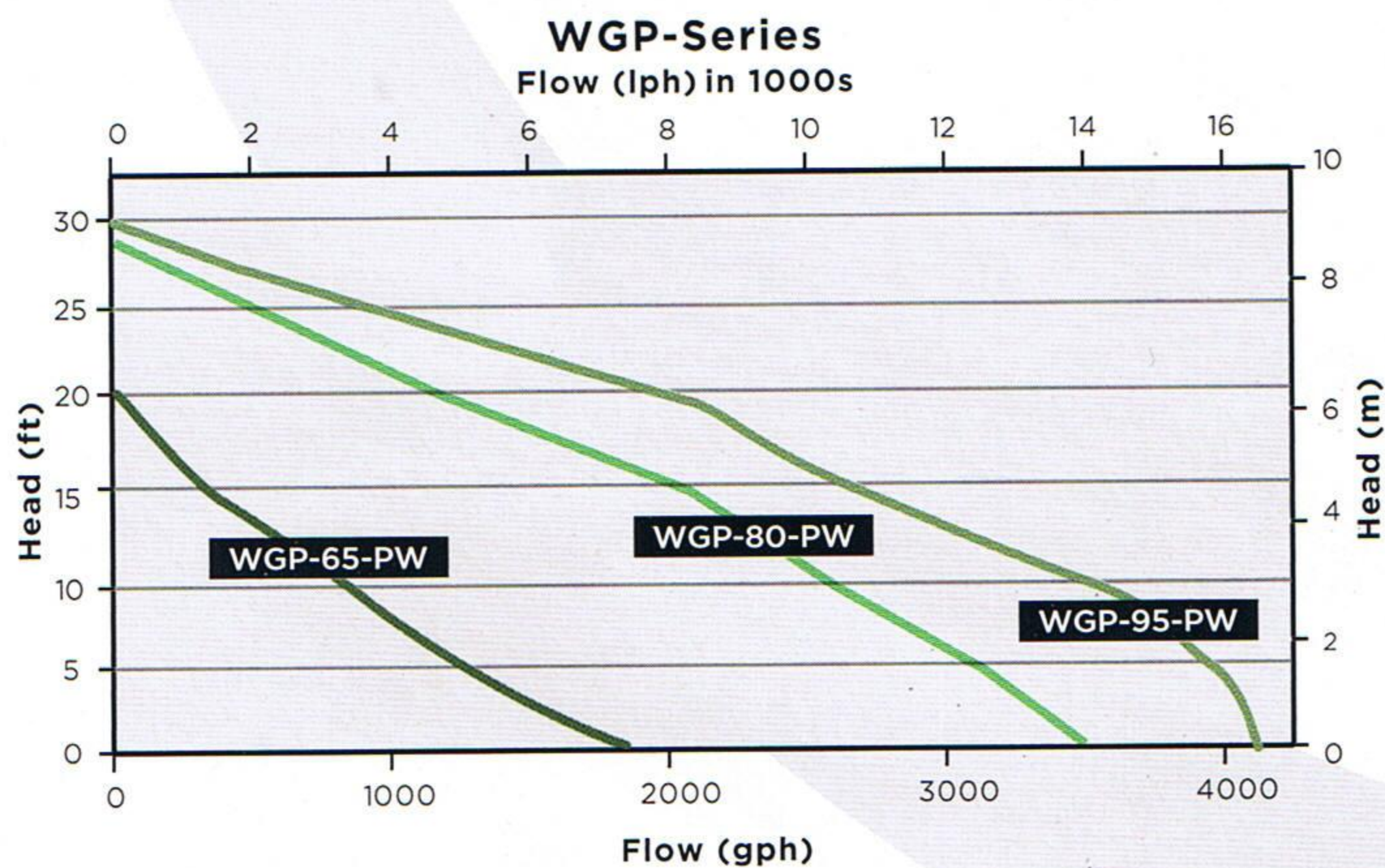
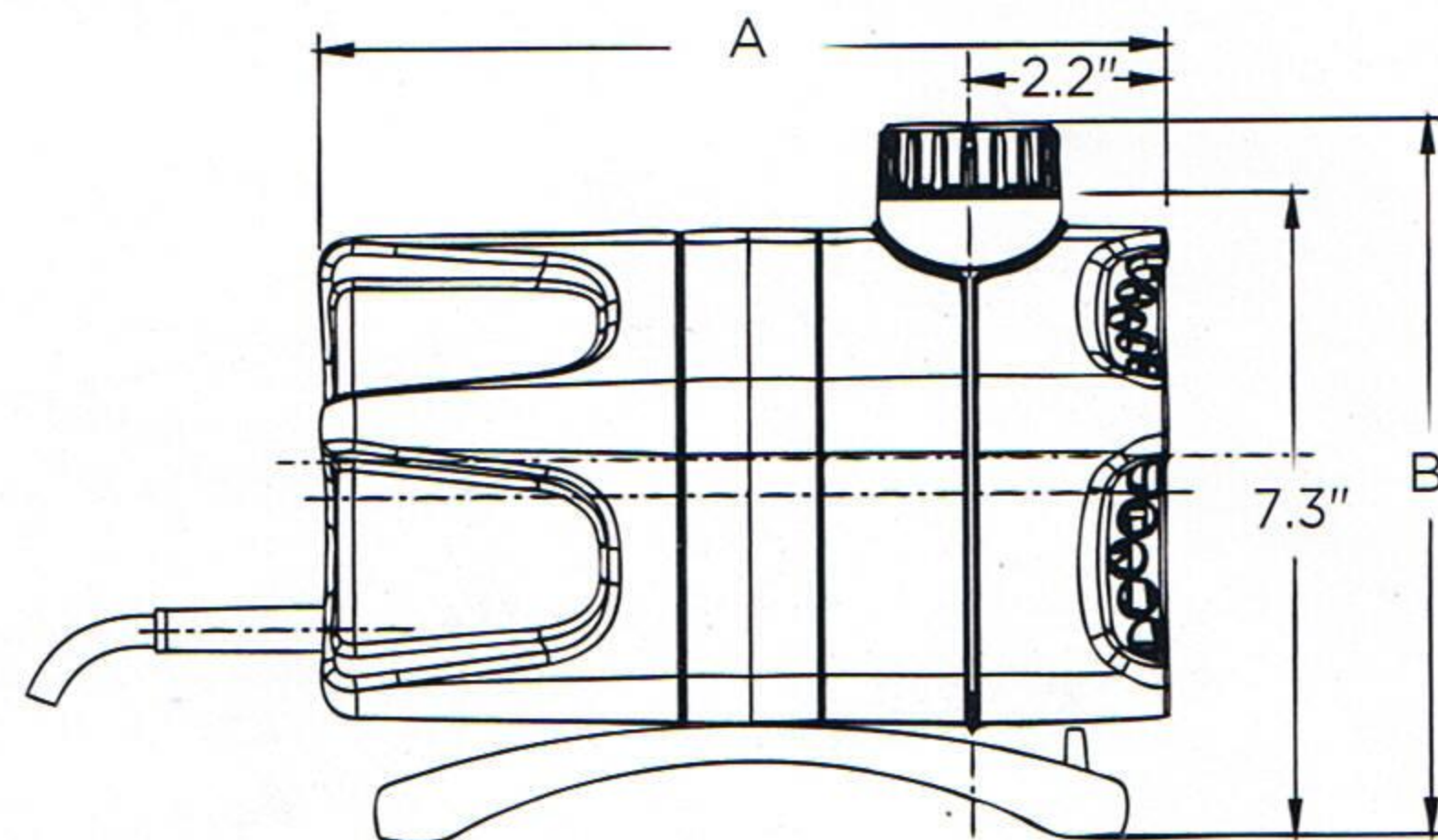
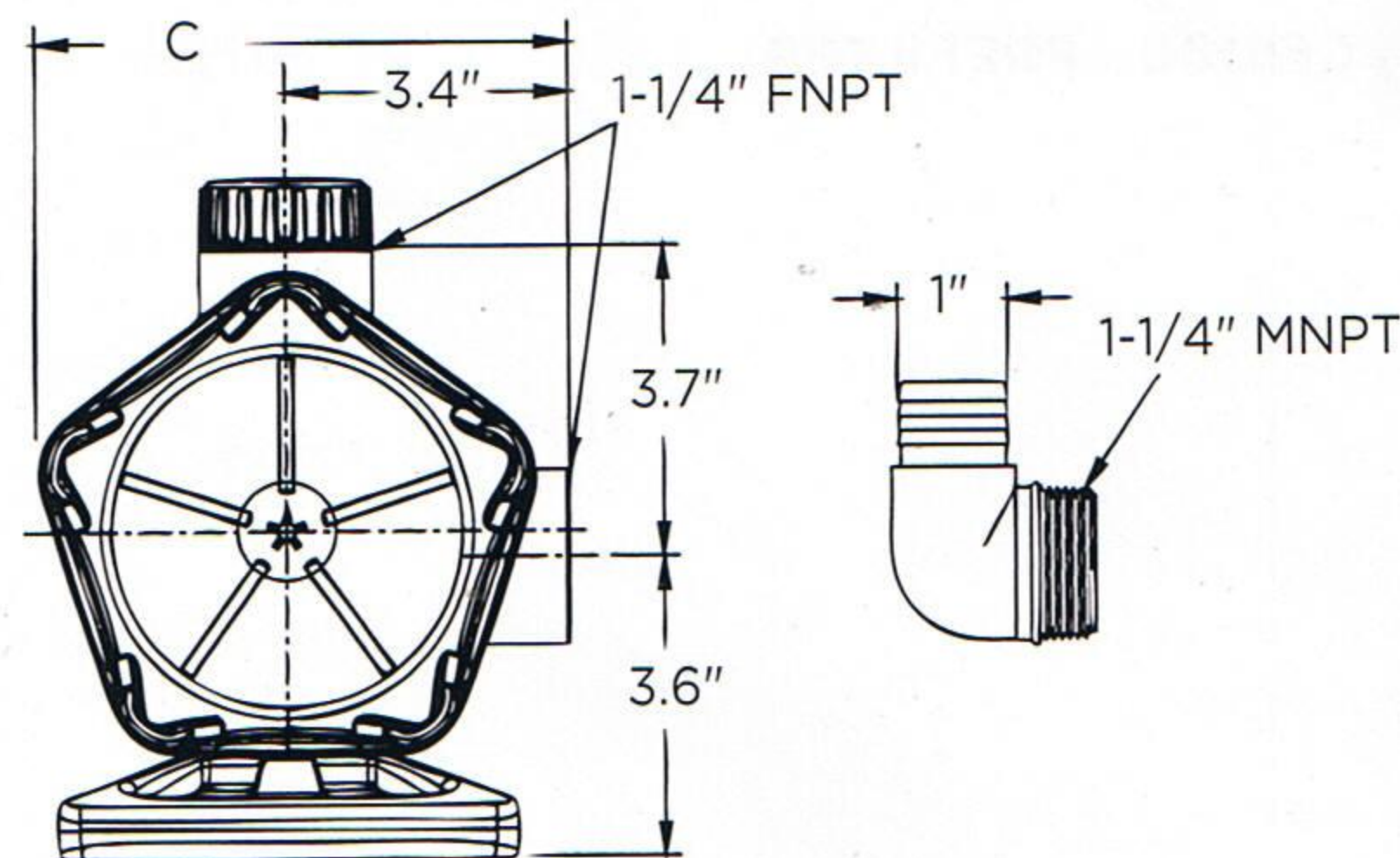
WGP-65-PW

- Use vertically or horizontally
- Removable pre-filter for cleaning
- Ideal for filtration, waterfall and streams

WGP SERIES	Item Number	Amps	Watts	Cord (ft)	Submerged Use	Discharge FNPT	Gallons Per Hour (GPH) at height						Shut Off (ft)
							1'	5'	10'	15'	20'	25'	
WGP-65-PW	566409	2	230	16'	✓	1-1/4"	1900	1250	785	325	-	-	20
WGP-80-PW	566417	6.3	700	16'	✓	1-1/4"	3500	3200	2700	2100	1300	695	29.5
WGP-95-PW	566407	6.3	700	16'	✓	1-1/4"	4280	4000	3500	2850	2200	1370	30

### DIMENSIONS (INCHES)

	A	B	C
WGP-65-PW	9.6	8.1	6.35
WGP-80-PW	11.0	8.1	6.35
WGP-95-PW	11.0	8.1	6.35



FOUNTAIN SPECIALIST, INC P.O.R.  
 226 MAIN STREET  
 MILFORD, OHIO 45150 513-831-5717

EXCELLENT PUMPS W/ DUAL DISCHARGE AND GREAT LONGEVITY W/ PROVEN YEARS OF PERFORMANCE