

# SUBMERSIBLE LIGHTFIXTURE PEM E500

For PAR 56 Lamps, 240V / 120V / 24V & 12V  
 WATTAGE & LIGHT OUTPUT AS PER LAMPS TO BE USED

E500A, Standard



E500A, UL



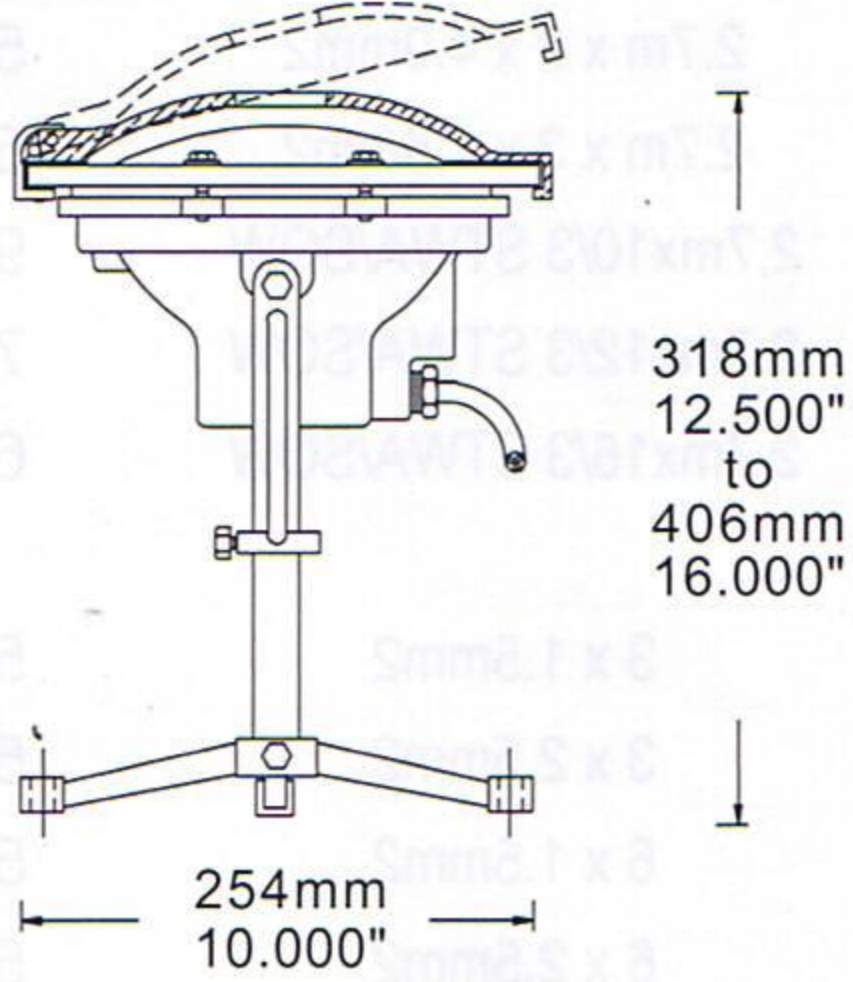
E500A, CSA



E500A-2



E500A + 10-9 + B1



E500A + B1



E500A + B4

E500A + 10-3 + B1

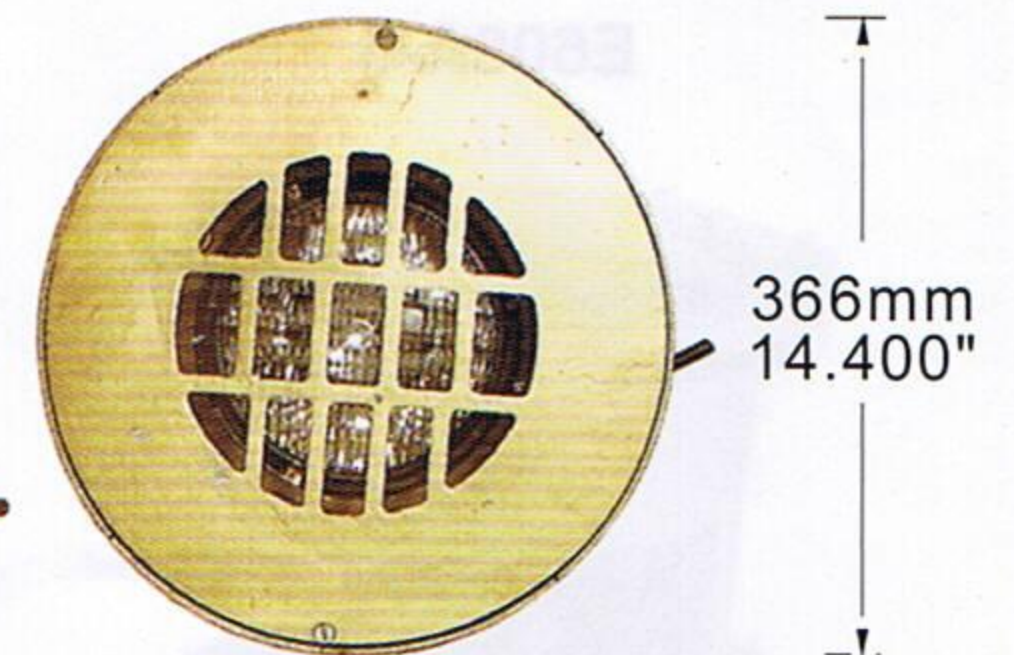


**APPROVALS :**  
 CSA, 120 / 24 & 12V excluding -2  
 CS, 240 / 24 & 12V excluding -2  
 UL, 120 / 24 & 12V excluding -2

E500A + B70A  
 Walk Over Niche Mounting



E500A + 10-8 + B69  
 Niche Mounting



E500A + B69  
 Niche Mounting

## CONSTRUCTION OF LIGHTFIXTURE:

### HOUSING & FACERING:

Cast bronze (85/5/5/5 Copper Alloy) Stainless Steel fitted.  
 Facing has cast in tightening torque specification for facing bolts.

**LAMPS: OPTIONAL.** See Lightfixture Supplements, Lamps  
 120V & 240V, PAR56 Sealed Beam Lamps, Base (GX16d).  
 120V - 300W & 500W & 240V - 300W, 240V - 500W by PEM.  
 12V & 24V, PAR56 Sealed Beam Lamps, Screw Connections.  
 24V - 250W by PEM, 12V - 120W, 240W & 300W.

### LAMP CONNECTOR:

120V / 240V : Ceramic Mogul PAR connector GX 16d (flat pins) with high temperature leads and (3) holding clamps.  
 12V & 24V : Fork Connectors and (3) holding clamps.

**LENS:** 213mm / 8.375" Diameter. See Lightfixture Supplement, Lenses  
**STANDARD:** Convex cast glass, heat resistant and tempered.  
 Clear or 5 colors.

**OPTIONAL:** Convex Dichro Colour Lens, in 10 colours  
**OPTIONAL:** Lens Shade for Dichro Colour Lens

### LENS GASKET:

Custom molded U shape made of material approved for the application.

**THERMAL CUT - OFF:** OPTIONAL, See opposite page  
 Factory installed integral thermal cut off for 240V, 120V, 24V & 12V.

### CABLE:

Approved for the purpose electrical cable with epoxy encapsulated .  
 compression type cable entry into housing.  
 See Lightfixture Supplements for cable sizing

**ROCKGUARD:** OPTIONAL., See opposite Page

**LENSGUARD, PART OF FACERING:** OPTIONAL. See opposite Page  
 Must be used with vertical mounted Niche B69. Optional for all others.

**STAND OR MOUNTING ASSEMBLY:** OPTIONAL, See opposite Page

