

# Filtration

## Ultraviolet Clarifiers

Little Giant UV clarifiers eliminate green water fast to improve pond health and beauty. Built to last from industrial-grade materials, these units are easily maintainable and have a safety feature to prevent UV-C exposure.

- Safe for plants and fish
- Easy maintenance and cleaning
- Installs in-line easily (cannot be submerged)
- Efficient compact size
- Clear cap to see bulb working

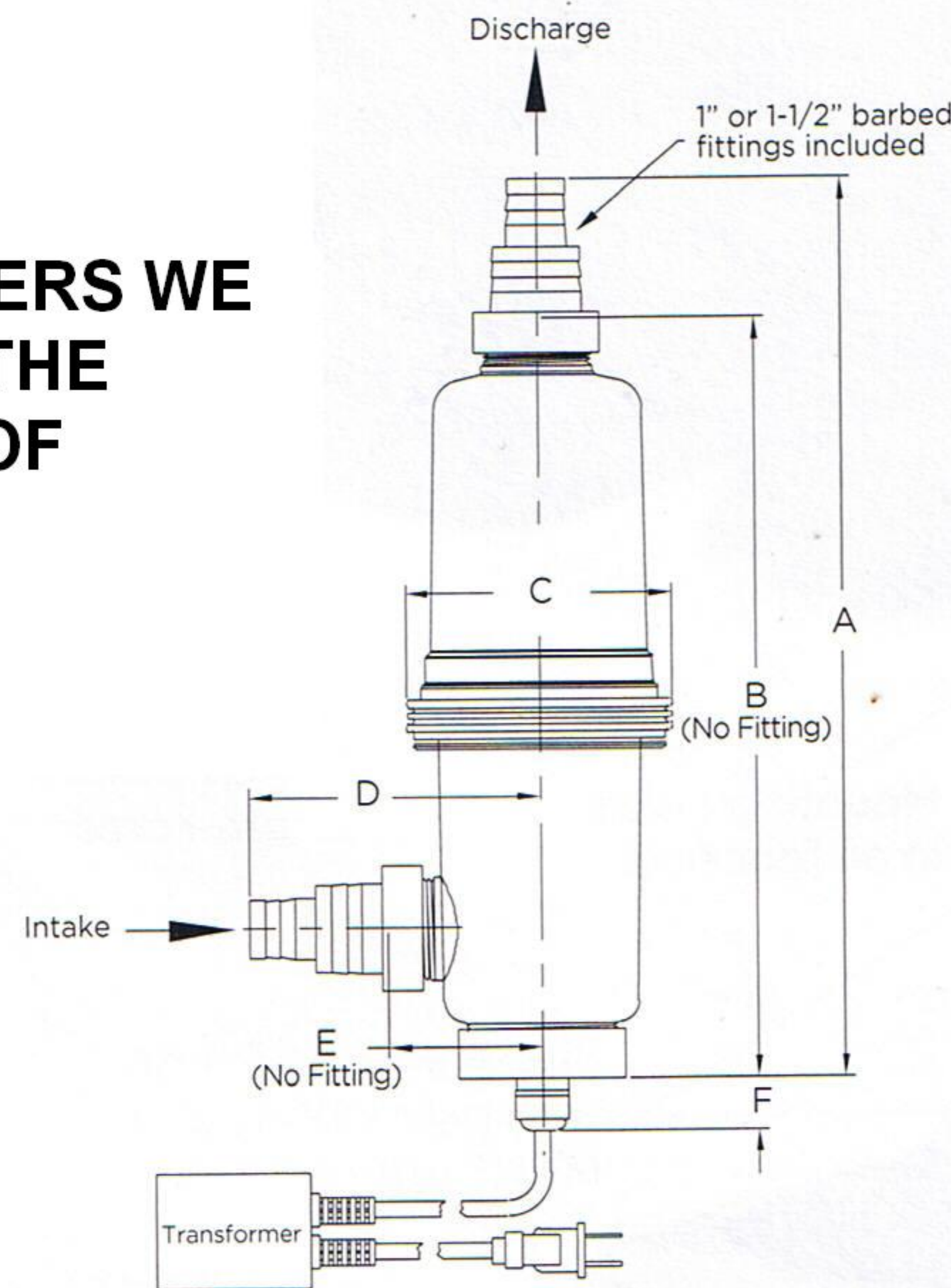


UVC18

ULTRAVIOLET CLARIFIERS	Item Number	Dimensions (Inches)						Max Flow	Max Pond Size
		A	B	C	D	E	F		
UVC9	517424	16.07	13.50	4.65	5.4	1.64	.95	500 gph	1000
UVC18	517425	16.07	13.50	4.65	5.4	1.64	.95	1000 gph	2000
UVC36	517426	16.07	13.50	4.65	5.4	1.64	.95	2000 gph	4000

**FOUNTAIN SPECIALIST, INC**  
**226 MAIN STREET**  
**MILFORD, OHIO 45150**  
**513-831-5717 SINCE 1960**

**ONE OF MANY U/V STERILIZERS WE OFFER TO KEEP WATER IN THE SYSTEM CLEAN AND FREE OF ALGAE. THIS ONE IS NOT SUBMERSIBLE BUT VERY EFFECTIVE.**



### Understanding UV:

As algae passes by the light, the chlorophyll of the algae is affected which causes the cells to stick together. The now larger cell groups are lodged in the biological filter and consumed by the beneficial bacteria. When using a UV clarifier for the first time it is a good idea to clean your filter pads in all filters for the first few days.