

Water Pumps

Direct Drive Pumps



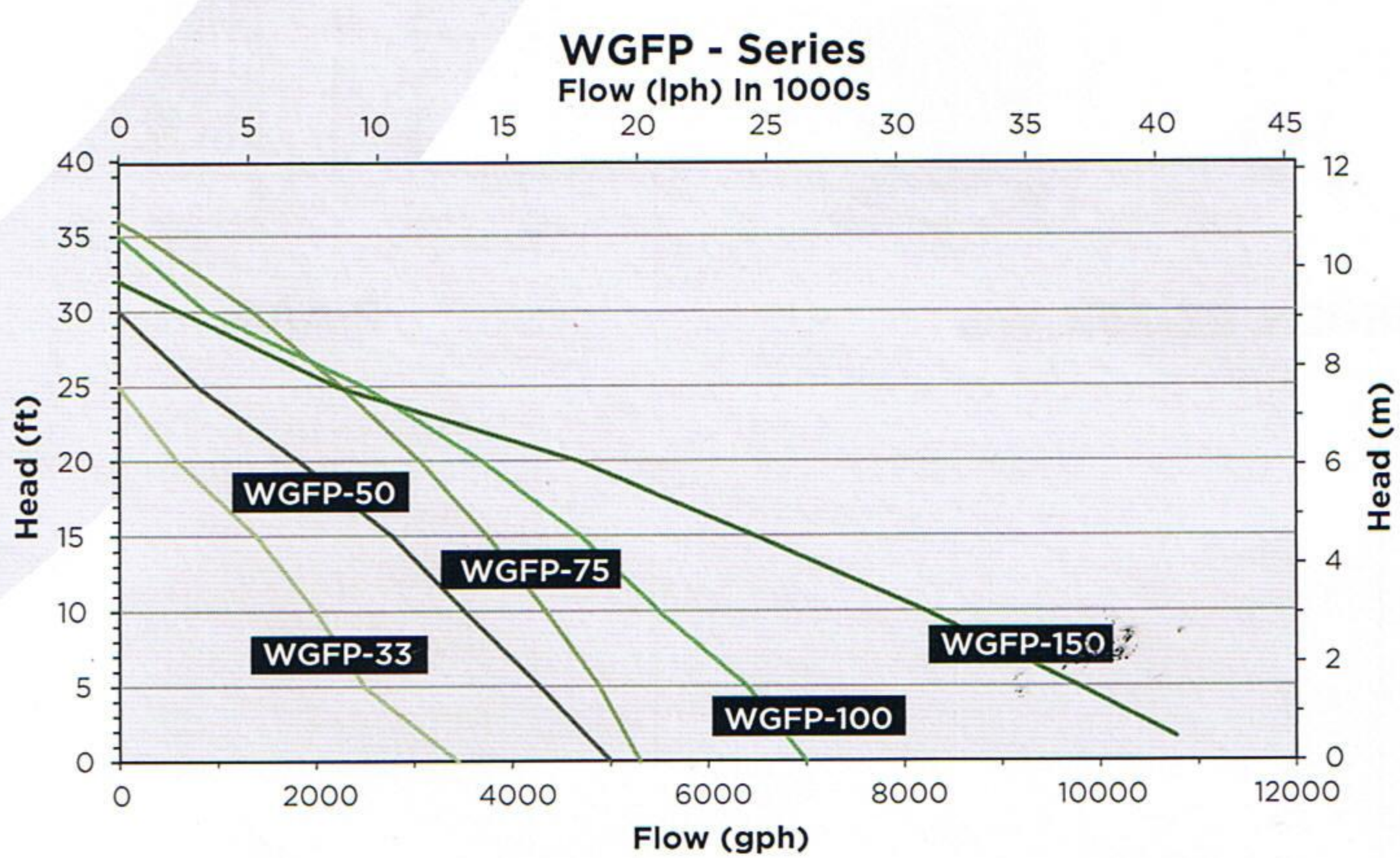
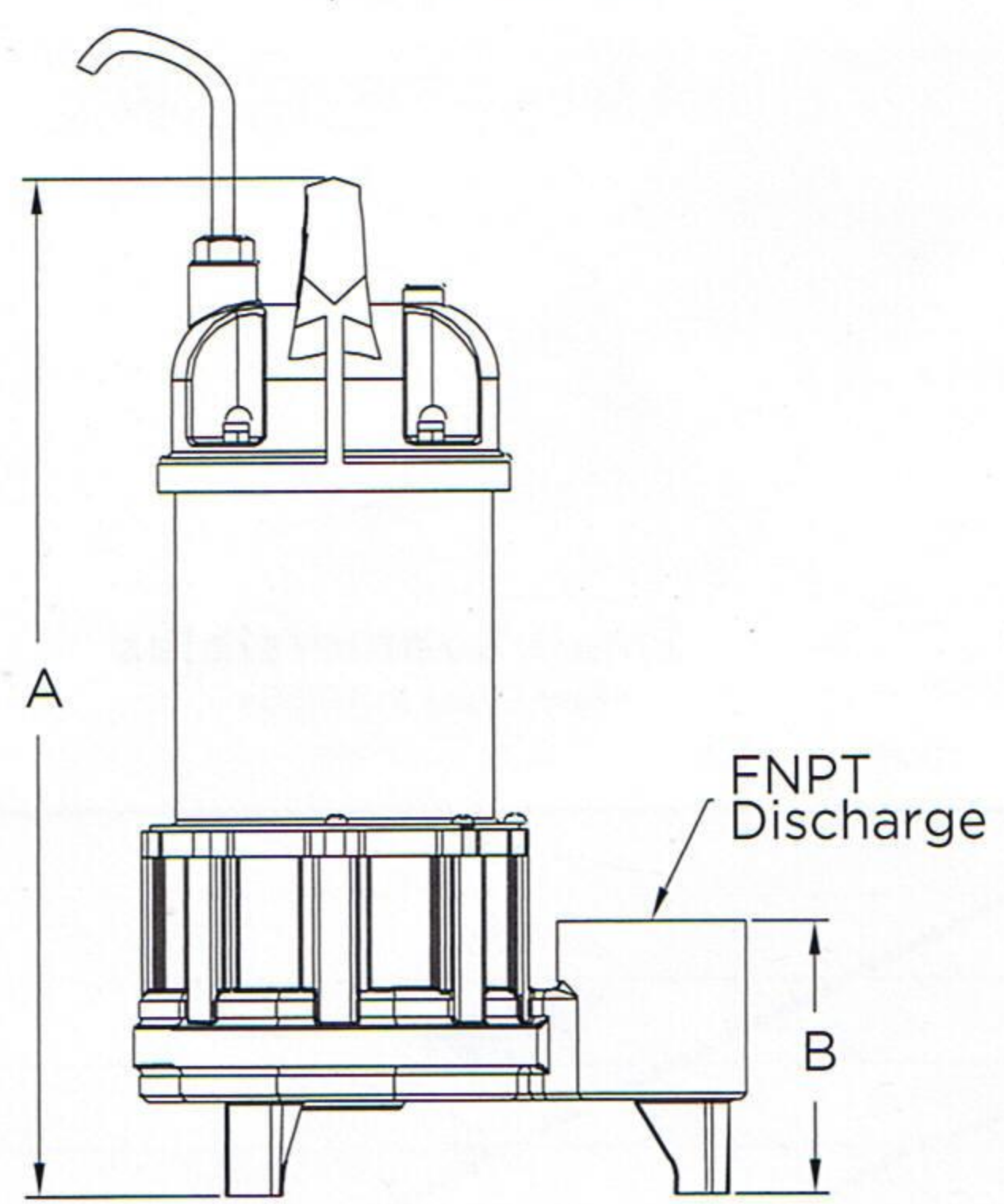
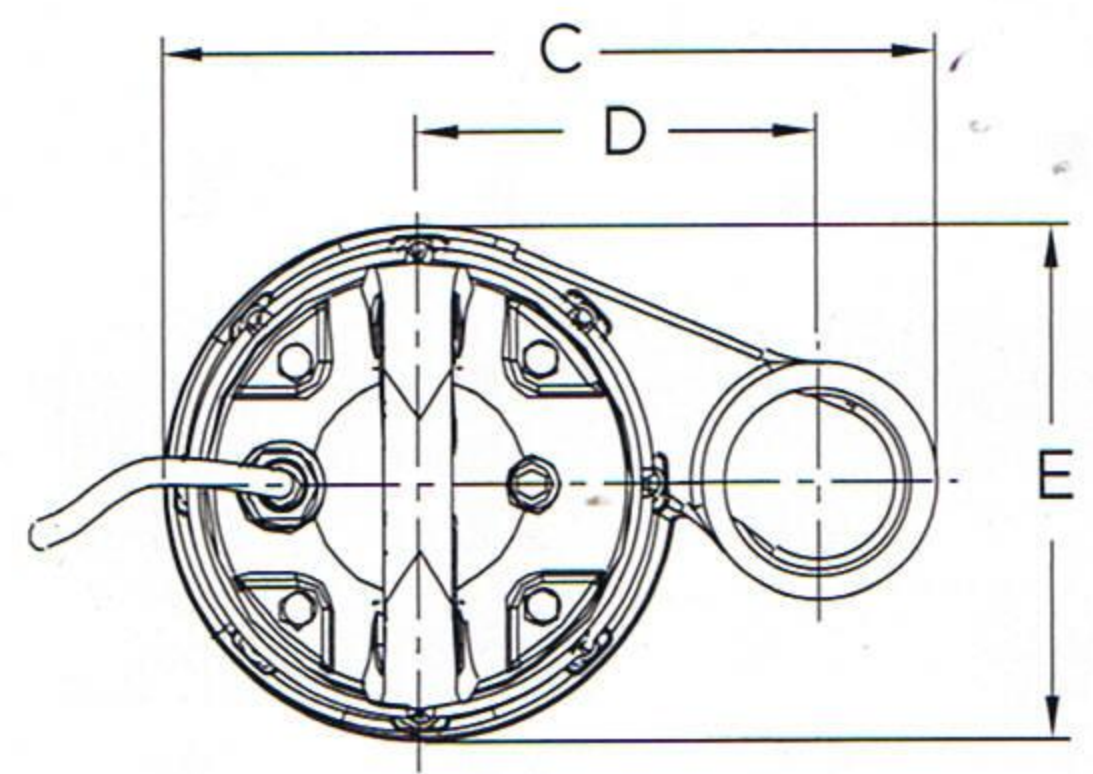
WGFP-Series

Constructed with stainless steel, cast iron and durable thermoplastic, our solids-handling submersible Little Giant water feature pumps meet the rigorous demands of the most impressive water features. This year we have added a larger size to meet all of your decorative water needs.

- Designed for water features
- Dual seals for added protection in larger models
- Great as replacement pump and for new construction

WGFP SERIES	Item Number	Amps	Watts	Cord (ft)	Submerged Use	Discharge FNPT	Gallons Per Hour (GPH) at height					Solids Diameter	Shut Off (ft)
							5'	10'	15'	20'	25'		
WGFP-33	566067	5	455	19'	✓	1-1/2"	2500	2000	1400	600	-	0.98"	25
WGFP-50	566068	7	590	19'	✓	2"	4280	3520	2780	1830	800	1.18"	30
WGFP-75	566069	8	847	19'	✓	2"	4890	4350	3750	3070	2262	1.38"	36
WGFP-100	566070	12	1210	19'	✓	2"	6400	5500	4700	3700	2500	1.35"	35
WGFP-150	566071	11	1210	19'	✓	3"	9750	8200	6500	4600	2200	0.75"	32

DIMENSIONS (INCHES)	A	B	C	D	E
WGFP-33	12.86	3.46	7.75	3.98	5.29
WGFP-50	13.85	3.88	8.78	4.53	5.83
WGFP-75	14.44	3.88	8.78	4.53	5.83
WGFP-100	17.35	4.05	10.29	5.18	6.30
WGFP-150	18.50	5.00	11.75	6.50	7.50



FOUNTAIN SPECIALIST, INC P.O.R.
226 MAIN STREET
MILFORD, OHIO 45150
513-831-5717

FILTRATION
 WATER PUMPS
 FOUNTAINS & FEATURES
 LIGHTING & CONTROLS
 CONSTRUCTION
 POND CARE